

FLEXFORM

FLEXFORM | MADE IN ITALY



GROUNDPIECE *ANTONIO CITTERIO 2001*

DIVANI | DIVANI COMPONENTI | POUF SOFAS | SECTIONAL SOFAS | OTTOMANS

FLEXFORM Spa

Via Einaudi 23/25 20821 Meda (MB) Italy | Tel. +39 0362 3991 | Fax +39 0362 399228 | info@flexform.it | www.flexform.it

GROUNDPIECE | ANTONIO CITTERIO | 2001

TIPOLOGIE DIVANI/DIVANI COMPONENTI/
POUF - TAVOLINI/CONSOLLE - LIBRERIE/
COMPLEMENTI/CONTENITORI - LETTI
PRODOTTO DIVANO - DIVANO COMPONENTI
- POUF

STRUTTURA IN METALLO CON IMBOTTITURA
IN POLIURETANO STAMPATO RIVESTITO IN
TESSUTO PROTETTIVO ACCOPPIATO

CUSCINI SEDUTA IN PIUMA CON INSERTO
IN MATERIALE INDEFORMABILE O IN
POLIURETANO E DACRON

CUSCINI SCHIENALE IN PIUMA A RICHIESTA
CON SUPPLEMENTO DI PREZZO, CON O
SENZA RULLO REGGICUSCINO IN DACRON.

BRACCIOLO IN TESSUTO CON INSERTO IN
METALLO E IMBOTTITURA IN POLIURETANO
STAMPATO RIVESTITO IN TESSUTO
PROTETTIVO ACCOPPIATO

PIEDI IN METALLO CON VERNICE
EPOSSIDICA.

RIVESTIMENTO SFODERABILE IN TESSUTO
O PELLE

SCAFFALE/CONTENITORE/TAVOLINO CON
FUNZIONE DI PORTAOGGETTI, STRUTTURA IN
METALLO RIVESTITO IN CUOIO NEI COLORI:
BIANCO (5007), GRIGIO (5003), TESTA DI
MORO (5004), TESTA DI MORO SCURO (5013),
NERO (5005), OLIVA (5006), ROSSO BULGARO
(5008), SABBIA (5001), TABACCO (5015),
SCAMOSCIATO MORO (6004), SCAMOSCIATO
NERO (6005), SCAMOSCIATO OLIVA (6003),
SCAMOSCIATO SABBIA (6001).

PIEDI IN METALLO CON VERNICE
EPOSSIDICA.

CATEGORIES SOFAS/SECTIONAL SOFAS/
OTTOMAN - SMALL TABLES/CONSOLE
BOOKSHELVES/FURNISHINGS/CABINETS -
BEDS

PRODUCT SECTIONAL SOFAS - OTTOMAN
FRAME IN METAL WITH FOAM

POLYURETHANE PADDING COVERED
WITH A PROTECTIVE FABRIC LINING

SEAT CUSHIONS FILLED WITH DOWN
AND A RESILIENT INNER CORE OR WITH
POLYURETHANE AND DACRON

BACKREST CUSHIONS DOWN-FILLED
WITH OR WITHOUT BOLSTER IN DACRON,
ON REQUEST WITH UPCHARGE

ARMREST IN FABRIC WITH METAL
INSERT AND FOAM POLYURETHANE
PADDING COVERED WITH A PROTECTIVE
FABRIC LINING

FEET IN METAL TREATED WITH EPOXY
LACQUER.

UPHOLSTERY REMOVABLE FABRIC
OR LEATHER COVERS

BOOKSHELVES/SMALL TABLES

FRAME IN METAL COVERED WITH HIDE
LEATHER: RUSSIAN RED (5008),

WHITE (5007), OLIVE (5006),

BLACK (5005), DARK BROWN (5004),

DARK BROWN EXTRA (5013), GREY (5003),

SAND (5001), TOBACCO (5015).

ALSO AVAILABLE IN BLACK SUEDE (6005),

DARK BROWN SUEDE (6004), OLIVE SUEDE

(6003), SAND SUEDE (6001)

FEET IN METAL TREATED WITH EPOXY
LACQUER.

PRODUKTARTEN SOFAS/ECKSOFAS/HOCKER
- REGALE/BOX/BEISTELL TISCH - BETTEN

PRODUKT ECKSOFAS - HOCKER

GESTELL METALLGESTELL MIT
SPRITZGUSSPOLYURETHANPOLSTERUNG
UND PASSENDEM STOFFSCHUTZBEZUG.

SITZKISSEN DAUNENFÜLLUNG MIT KERN
AUS UNVERFORMBAREM MATERIAL ODER
POLYURETHAN- UND DACRONFÜLLUNG.

RÜCKENKISSEN MIT DAUNENFÜLLUNG, MIT
ODER OHNE KISSENSTÜTZROLLE (DACRON),
SEPARAT BESTELLBAR.

STOFFBEZOGENE ARMLEHNE

GESTELL AUS METALL MIT
SPRITZGUSSPOLYURETHANPOLSTERUNG
UND PASSENDEM STOFFSCHUTZBEZUG.

FÜSSE RUNDROHR AUS METALL MIT EPOXYD
LACKIERUNG.

BEZÜGE ABZIEHBARE STOFF- ODER
LEDERBEZÜGE.

ARMLEHNREGAL/BEISTELLTISCH

METALLGESTELL MIT KERNLEDER
BEZOGEN - FARBEN: WEISS (5007),

GRAU (5003), TESTA DI MORO

DUNKELBRAUN (5004), TESTA DI MORO

EXTRA DUNKELBRAUN (5013),

SCHWARZ (5005), OLIVGRÜN (5006),

BULGARENROT (5008), SAND (5001),

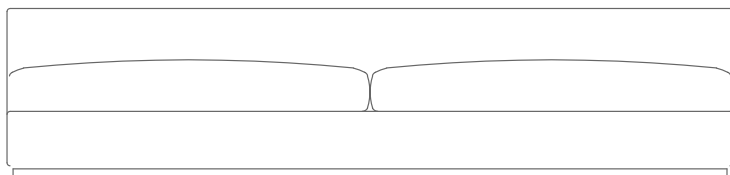
TABAK (5015). WILDLEDER IN DEN FARBEN:

TESTA DI MORO DUNKELBRAUN (6004),

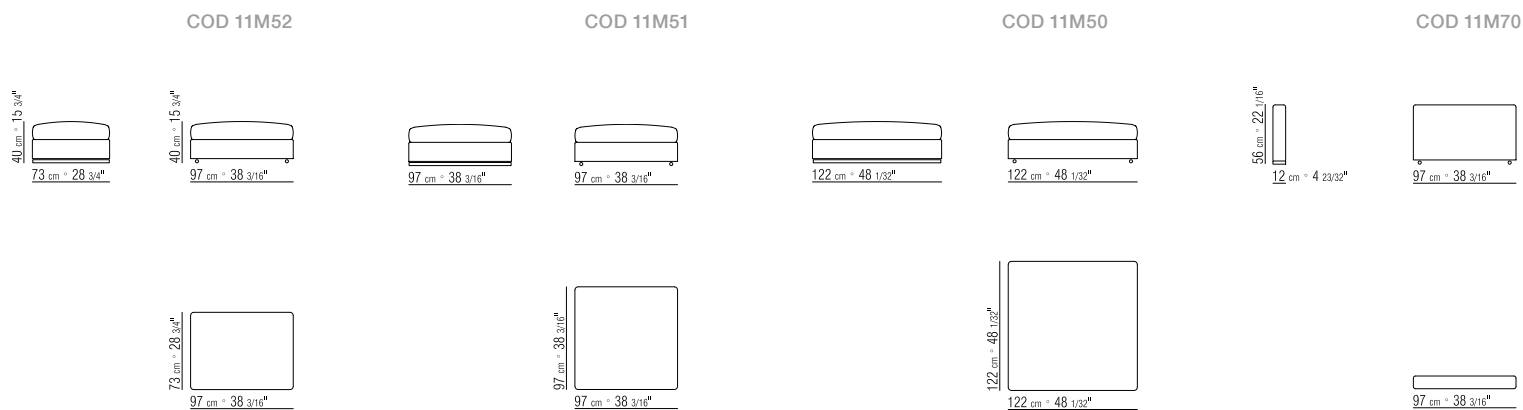
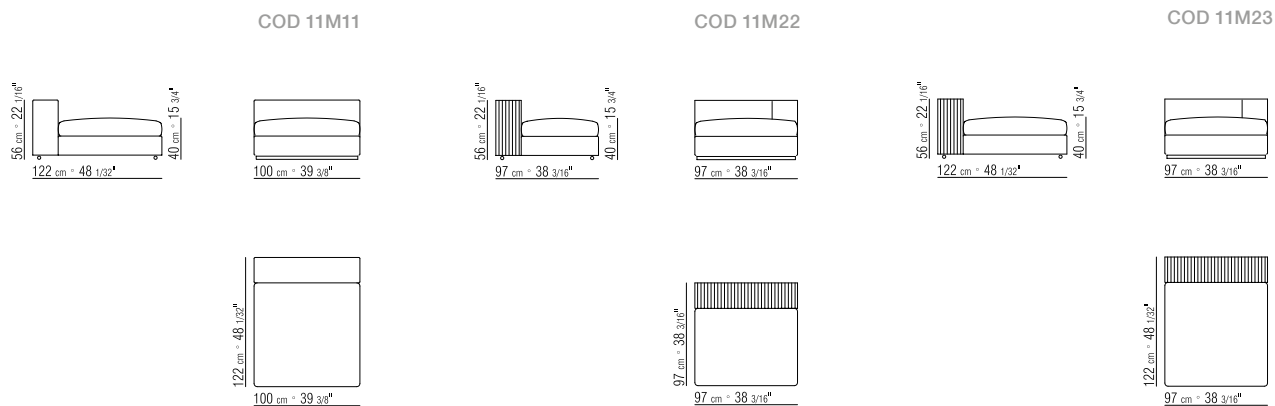
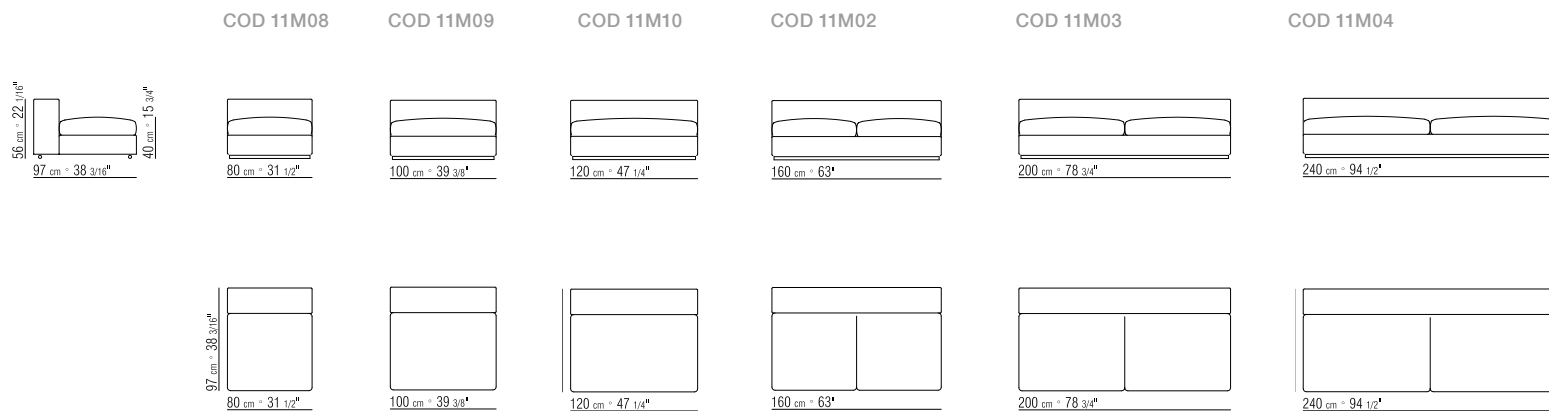
SCHWARZ (6005), OLIV-GRAU (6003),

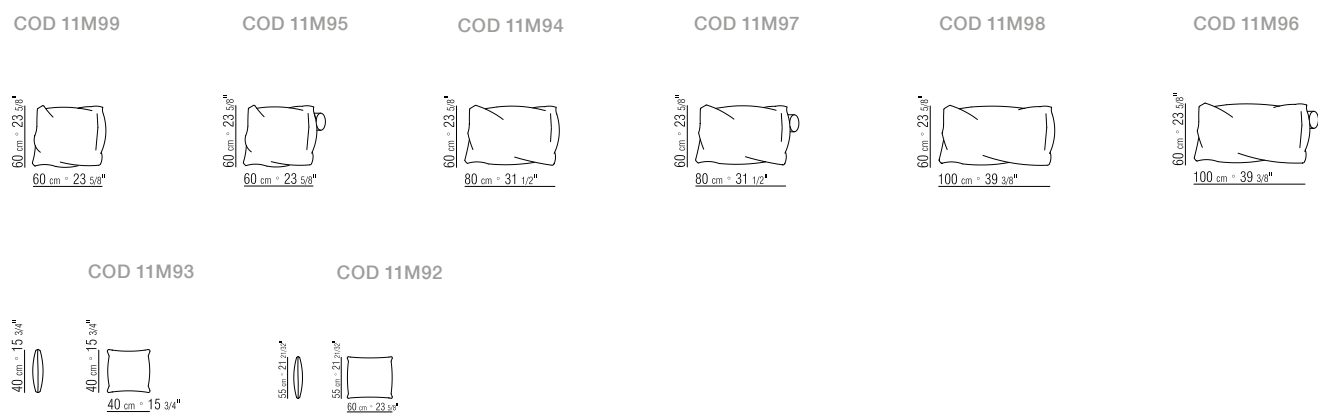
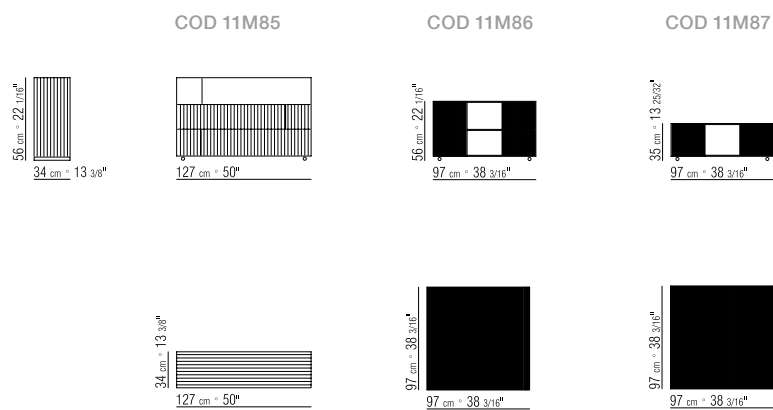
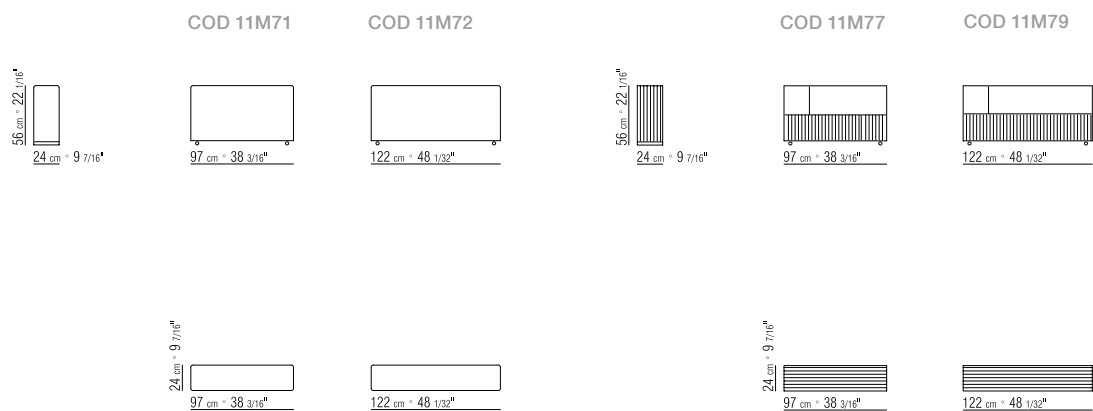
SAND (6001).

FÜSSE RUNDROHR AUS METALL
MIT EPOXYD LACKIERUNG.









COMPOSIZIONI

